

GE
Lighting

Evolve™ LED Area Light

N Series (EANA)



imagination at work

Product Features

The next generation of the GE Evolve™ LED Area Light is an exciting solution to efficiently illuminate site and area applications. The smaller-form design of the EANA fixture provides superior illuminance at impressive site ROIs. The exclusive optical ring design effectively directs the light and produces impressive vertical illuminance and glare control. Additionally, the Evolve LED Area Light provides significant operating cost benefits over the life of each fixture with reduced energy consumption and a long rated life that virtually eliminates ongoing maintenance expenses.

Applications

- Site, area, and general lighting applications utilizing advanced LED optical system providing high uniformity, excellent vertical light distribution, reduced offsite visibility, reduced on-site glare and effective security light levels.
- Obtain a truly optimized and efficient parking space with dimming and occupancy sensing features.

Housing

- Die-cast aluminum housing.
- Slim architectural design incorporates an integral heat sink and light engine, ensuring maximum heat transfer, long LED life, and a reduced Effective Projected Area (EPA).
- Meets 2G vibration level per ANSI C136.31-2010.



LED & Optical Assembly

- Structured LED arrays for optimized area light photometric distribution.
- Evolve light engine with directional reflectors designed to optimize application efficiency and minimize glare.
- Utilizes high brightness LEDs, 70 CRI at 4000K and 5000K typical.

Lumen Maintenance

- System rating is L85 at 50,000 hours. Contact manufacturer for Lxx rating (Lumen Depreciation) beyond 50,000 hours.

Ratings

- /° listed, suitable for wet locations.
- IP66 rated optical enclosure per ANSI C136.25-2009.
- Temperature rated at -40° to 50°C.
- Upward Light Output Ratio (ULOR) = 0.
- Title 24 compliant with "H" motion sensor option.
- Compliant with the material restriction requirements of RoHS.

-  DLC Listed

Please refer to the DLC QPL website for the latest and most complete information.
www.designlights.org/QPL

Mounting

Option A

- 10-inch (254mm) mounting arm for square pole prewired with 24-inch (610mm) leads.

Option B

- 10-inch (254mm) mounting arm for round pole prewired with 24-inch (610mm) leads.

Option C

- Slipfitter mounting for 2 3/8-inch (60mm) O.D. pipe prewired with 24-inch (610mm) leads.

Option D

- 10-inch (254mm) mounting arm for round or square pole prewired with 24-inch (610mm) leads.

Finish

- Corrosion resistant polyester powder painted, minimum 2.0 mil. thickness.
- Standard colors: Black & Dark Bronze.
- RAL & custom colors available.

Electrical

- 120-277 volt and 347-480 volt available.
- System power factor is >90% and THD <20%.
- Photo electric sensors (PE) available for all voltages.
- GE dimmable PE socket is available making the unit "adaptive controls ready." Contact manufacturer for details.
- Dimming:
 - Wired 0-10V continuous dimming with "D" option code
 - Stand-alone motion sensor based dimming using "H" option code
- Surge Protection Options:
For 120-277VAC and 347-480VAC per IEEE/ANSI C136.2-2014.
 - 6kV/3kA "Basic" surge protection, standard.
 - 10kV/5kA "Enhanced" surge protection available with "R" option code.

Ordering Number Logic

Evolve™ LED Area Light N Series (EANA)



E A N A **A** **5**

| PROD. ID | PHOTOMETRIC SERIES | VOLTAGE | OPTICAL CODE | DRIVE CURRENT | LED COLOR TEMP | PE FUNCTION | MOUNTING ARM | COLOR | OPTIONS |
|--|----------------------------|---|--------------|---------------|--------------------------|--|--|--|---|
| E = Evolve A = Area Light N = Housing Series | A = Photometric Series "A" | 0 = 120-277 1 = 120* 2 = 240* 4 = 277* 5 = 480* H = 347-480V D = 347* | | 5 = 525mA | 40 = 4000K 50 = 5000K | 1 = None 2 = PE Rec. 4 = PE Rec. with Shorting cap 5 = PE Rec. with Control** A = ANSI C136.41 7-pin PE Receptacle †# D = ANSI C136.41 7-pin PE Receptacle with Shorting Cap †# ** PE control not available for 347-480V. Must be a discrete voltage (347V or 480V). † When ordering PE function socket A or D, a dimming driver must also be ordered under the "OPTIONS" column. # Order Dimming/Control PE as a separate item. | A = 10" Arm for Square Pole, supplied with leads B = 10" Arm for Round Pole, supplied with leads C = EXT Slipfitter 2" Pipe (2.378 in. OD) supplied with leads D = 10" Arm for Round or Square poles, supplied with leads and additional hardware | BLCK = Black DKBZ = Dark Bronze GRAY = Gray WHITE = White Contact manufacturer for other colors. | D = Dimming (0-10 Volt Input) † F = Fusing R = 10kV Enhanced Surge Protection H = Motion Sensor *# XXX = Special Options † Dimming leads will be provided through the back of the arm, unless specified with A or D PE Function. * May only be selected in conjunction with A or B Mounting Arm. # Dimming is standard with H option code. Do not also select D option. Not compatible with PE receptacle options A, or D. |

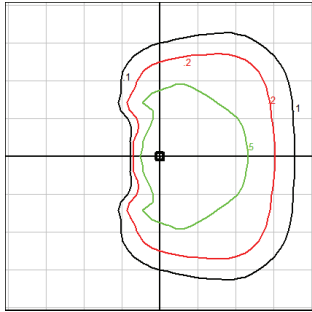


| | OPTICAL CODE | TYPE | TYPICAL INITIAL LUMENS | | TYPICAL SYSTEM WATTAGE | | BUG RATINGS* | | | | | | IES FILE NUMBER | |
|----------|--------------|--------------------|------------------------|--------|------------------------|----------|--------------|---|---|---|---|---|-----------------|-----------------|
| | | | 4000K | 5000K | 120-277V | 347-480V | B | U | G | B | U | G | 4000K | 5000K |
| TYPE IV | A4 | Asymmetric Forward | 3,730 | 3,750 | 46 | 46 | 1 | 0 | 1 | 1 | 0 | 1 | EANA_A4540__IES | EANA_A4550__IES |
| | B4 | Asymmetric Forward | 5,510 | 5,540 | 65 | 65 | 1 | 0 | 2 | 1 | 0 | 2 | EANA_B4540__IES | EANA_B4550__IES |
| | C4 | Asymmetric Forward | 7,180 | 7,210 | 85 | 85 | 1 | 0 | 2 | 1 | 0 | 2 | EANA_C4540__IES | EANA_C4550__IES |
| | D4 | Asymmetric Forward | 8,810 | 8,850 | 104 | 104 | 1 | 0 | 2 | 1 | 0 | 2 | EANA_D4540__IES | EANA_D4550__IES |
| | E4 | Asymmetric Forward | 10,370 | 10,410 | 123 | 123 | 2 | 0 | 2 | 2 | 0 | 2 | EANA_E4540__IES | EANA_E4550__IES |
| | F4 | Asymmetric Forward | 12,320 | 12,380 | 148 | 148 | 2 | 0 | 3 | 2 | 0 | 3 | EANA_F4540__IES | EANA_F4550__IES |
| TYPE III | A3 | Asymmetric Wide | 4,070 | 4,090 | 46 | 46 | 1 | 0 | 1 | 1 | 0 | 1 | EANA_A3540__IES | EANA_A3550__IES |
| | B3 | Asymmetric Wide | 6,010 | 6,040 | 65 | 65 | 1 | 0 | 1 | 1 | 0 | 1 | EANA_B3540__IES | EANA_B3550__IES |
| | C3 | Asymmetric Wide | 7,830 | 7,860 | 85 | 85 | 1 | 0 | 2 | 1 | 0 | 2 | EANA_C3540__IES | EANA_C3550__IES |
| | D3 | Asymmetric Wide | 9,620 | 9,650 | 104 | 104 | 2 | 0 | 2 | 2 | 0 | 2 | EANA_D3540__IES | EANA_D3550__IES |
| | E3 | Asymmetric Wide | 11,320 | 11,360 | 123 | 123 | 2 | 0 | 2 | 2 | 0 | 2 | EANA_E3540__IES | EANA_E3550__IES |
| | F3 | Asymmetric Wide | 13,450 | 13,500 | 148 | 148 | 2 | 0 | 2 | 2 | 0 | 2 | EANA_F3540__IES | EANA_F3550__IES |
| TYPE II | A2 | Asymmetric Narrow | 3,940 | 3,960 | 46 | 46 | 1 | 0 | 1 | 1 | 0 | 1 | EANA_A2540__IES | EANA_A2550__IES |
| | B2 | Asymmetric Narrow | 5,820 | 5,850 | 65 | 65 | 1 | 0 | 1 | 1 | 0 | 1 | EANA_B2540__IES | EANA_B2550__IES |
| | C2 | Asymmetric Narrow | 7,580 | 7,620 | 85 | 85 | 2 | 0 | 2 | 2 | 0 | 2 | EANA_C2540__IES | EANA_C2550__IES |
| | D2 | Asymmetric Narrow | 9,310 | 9,350 | 104 | 104 | 2 | 0 | 2 | 2 | 0 | 2 | EANA_D2540__IES | EANA_D2550__IES |
| | E2 | Asymmetric Narrow | 10,960 | 11,010 | 123 | 123 | 2 | 0 | 2 | 2 | 0 | 2 | EANA_E2540__IES | EANA_E2550__IES |
| | F2 | Asymmetric Narrow | 13,020 | 13,080 | 148 | 148 | 2 | 0 | 2 | 2 | 0 | 2 | EANA_F2540__IES | EANA_F2550__IES |

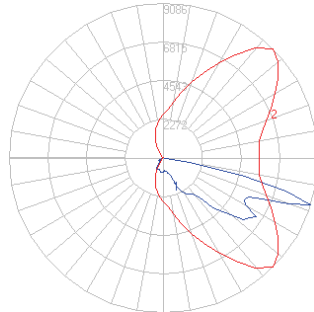
*Rating values for B and G are based on rated lumens and may vary due to flux tolerances.

Photometrics

EANA Type IV - Asymmetric Forward (F4)
 12,380 Lumens, 5000K (EANA_F4550__IES)

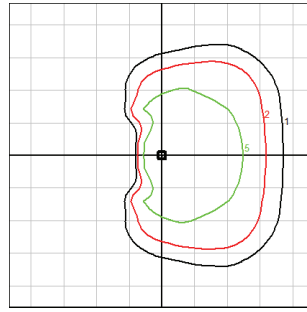


Grid Distance in Units
 of Mounting Height at 30' Initial
 Footcandle Values at Grade

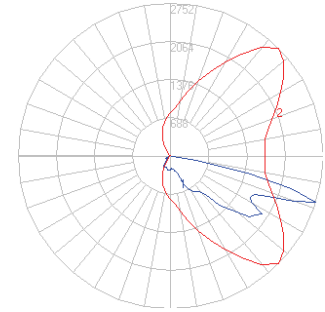


— Vertical plane through horizontal angle
 of maximum candlepower at 45°
 — Vertical plane through horizontal angle of 72.5°

EANA Type IV - Asymmetric Forward (A4)
 3,750 Lumens, 5000K (EANA_A4550__-120-277V.IES)

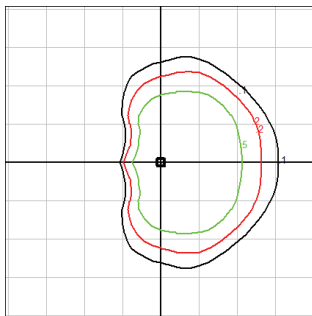


Grid Distance in Units
 of Mounting Height at 15' Initial
 Footcandle Values at Grade

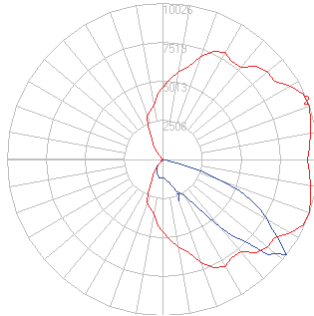


— Vertical plane through horizontal angle
 of maximum candlepower at 45°
 — Vertical plane through horizontal angle of 72.5°

EANA Type III - Asymmetric Wide (F3)
 13,500 Lumens, 5000K (EANA_F3550__IES)

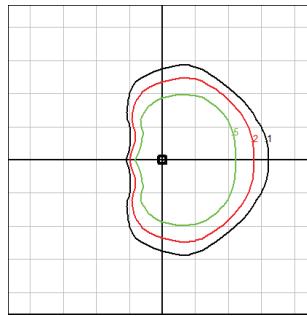


Grid Distance in Units
 of Mounting Height at 30' Initial
 Footcandle Values at Grade

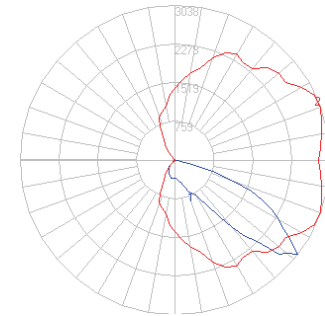


— Vertical plane through horizontal angle
 of maximum candlepower at 20°
 — Vertical plane through horizontal angle of 52.5°

EANA Type III - Asymmetric Wide (A3)
 4,090 Lumens, 5000K (EANA_A3550__-120-277V.IES)

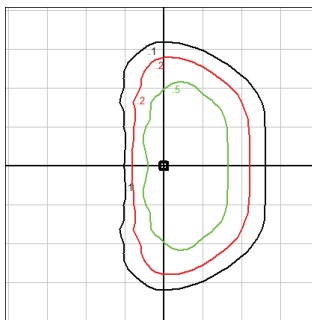


Grid Distance in Units
 of Mounting Height at 15' Initial
 Footcandle Values at Grade

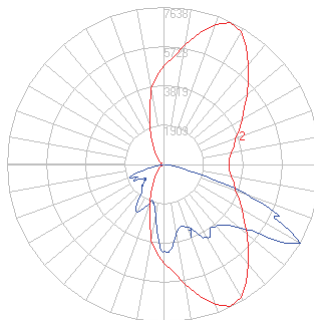


— Vertical plane through horizontal angle
 of maximum candlepower at 20°
 — Vertical plane through horizontal angle of 52.5°

EANA Type II - Asymmetric Narrow (F2)
 13,080 Lumens, 5000K (EANA_F2550__IES)

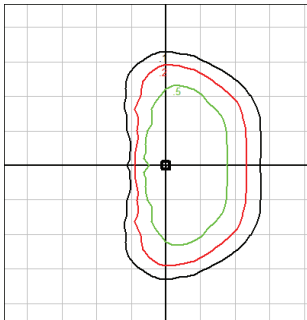


Distance in Units
 of Mounting Height at 30' Initial
 Footcandle Values at Grade

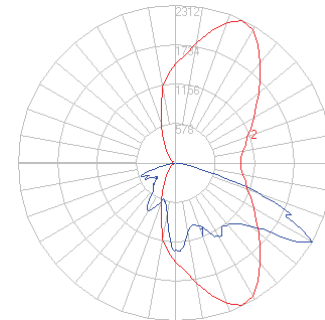


— Vertical plane through horizontal angle
 of maximum candlepower at 65°
 — Vertical plane through horizontal angle of 60°

EANA Type II - Asymmetric Narrow (A2)
 3,960 Lumens, 5000K (EANA_A2550__-120-277V.IES)



Grid Distance in Units
 of Mounting Height at 15' Initial
 Footcandle Values at Grade



— Vertical plane through horizontal angle
 of maximum candlepower at 65°
 — Vertical plane through horizontal angle of 60°

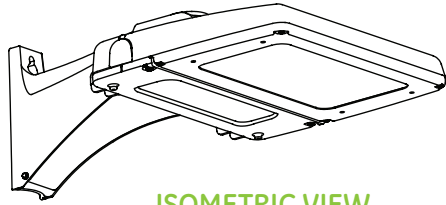
Product Dimensions

10" Arm For Square Pole Mount (Option A)

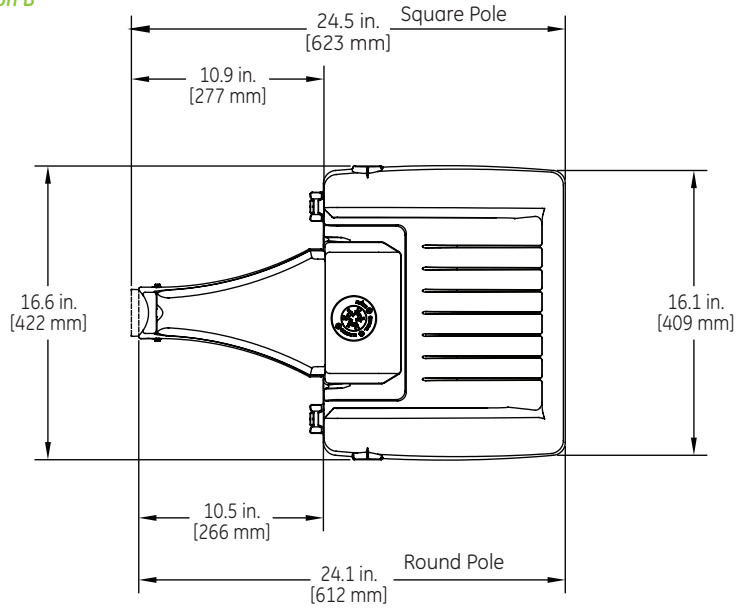
10" Arm For Round Pole Mount (Option B)

10" Arm For Square Pole Mount or Round Pole Mount (Option D)

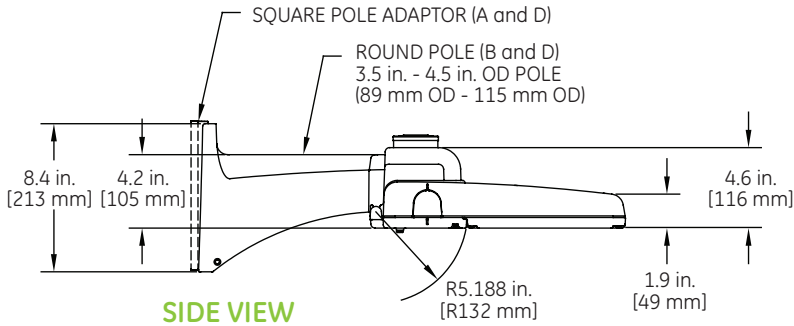
Option D includes all mounting hardware in Option A and Option B



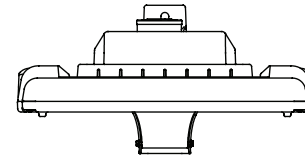
ISOMETRIC VIEW



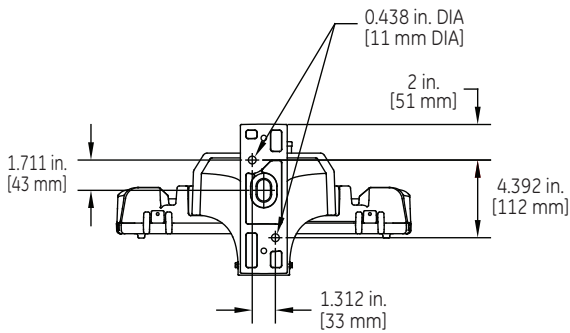
TOP VIEW



SIDE VIEW

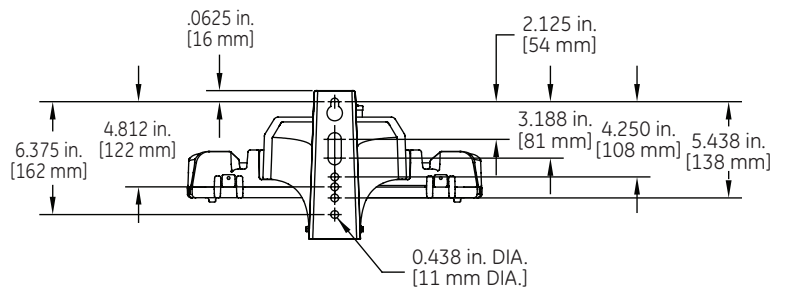


FRONT VIEW



BACK VIEW

Option A and D Square Pole
3.5 in. - 4.5 in POLE
(89 mm - 115 mm)



BACK VIEW

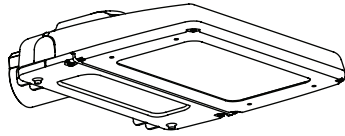
Option A and D Round Pole
3.5 in. - 4.5 in OD POLE
(89 mm OD - 115 mm OD)

DATA

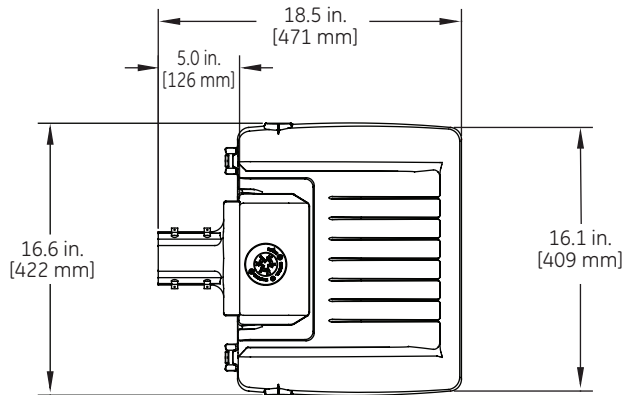
- Approximate net weight: 20 lbs (9.07 kgs)
- Effective Projected Area (EPA) with 10" Mounting Arm: 0.67 sq ft max (0.06 sq m)

Product Dimensions

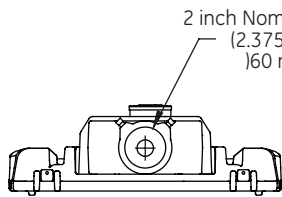
Slipfitter Arm Mount (Option C)



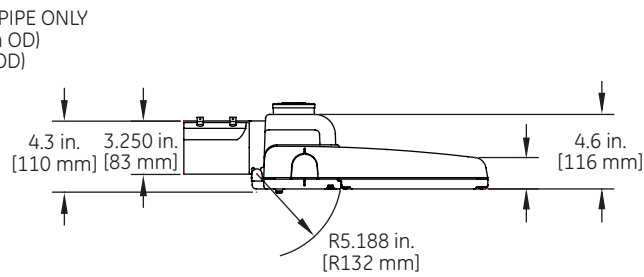
ISOMETRIC VIEW



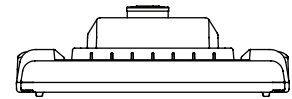
TOP VIEW



BACK VIEW



SIDE VIEW



FRONT VIEW

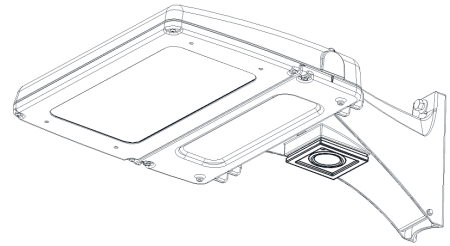
DATA

- Approximate net weight: 19 lbs (8.61 kgs)
- Effective Projected Area (EPA) with Slipfitter: 0.43 sq ft max (0.04 sq m)

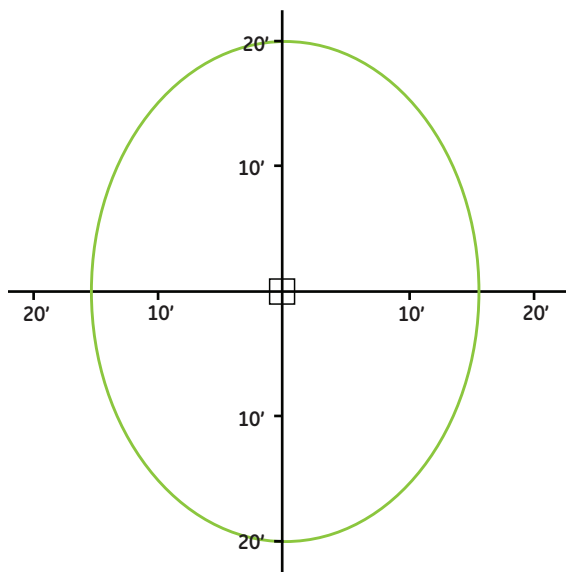
H-Motion Sensing Option:

- Intended for high mounting applications, between 15-30ft (4.57-9.14m). For mounting heights exceeding 30ft, pole mounted sensors are recommended.
- Provides a coverage area radius for walking motion of 15-20ft (4.57-6.10m).
- Provides 270° of coverage (~90° is blocked by the pole).
- Comes standard with 50% dimmed light output with no occupancy, and full power at occupancy.
- Comes standard with photocell function. Note: It is not necessary to also purchase PE receptacle or control.
- Comes standard with a 5 minute occupancy time delay and a 5 minute ramp-down to the 50% dimmed level.
- Must order with decorative mounting arm options "A" or "B".
- Fixture power increase of 1W expected with sensor use.

Note: Standard options may be reprogrammed in the field. Reprogramming instructions included in product shipment.



Sensor Pattern:



**Sensing Pattern Area Fixture
Up to 30 ft.**

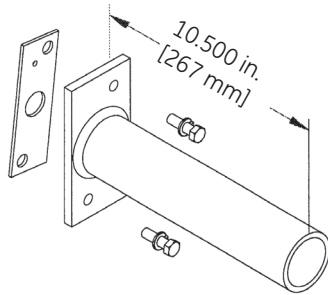
Mounting Information

Mounting Arms for Slipfitter

Order separately with Mounting Option C (External Slipfitter)

SQUARE POLE MOUNTING ARM

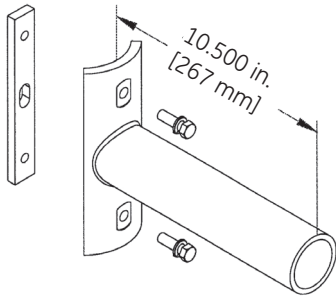
3.5 TO 4.5-inch (89 to 114mm) SQUARE
(WILL ALLOW 4 FIXTURES PER POLE @ 90 DEGREES.)



ORDER SEPARATELY FROM FIXTURE AS CATALOG NUMBER
SPA-EAMT10BLCK "Black"
SPA-EAMT10DKBZ "Dark Bronze"

ROUND POLE MOUNTING ARM

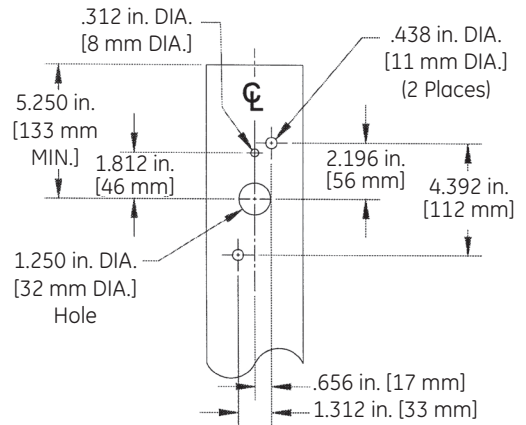
3.5 TO 4.5-inch (89 to 114mm) OD
(WILL ALLOW 4 FIXTURES PER POLE @ 90 DEGREES.)



ORDER SEPARATELY FROM FIXTURE AS CATALOG NUMBER
RPA-EAMT10BLCK "Black"
RPA-EAMT10DKBZ "Dark Bronze"

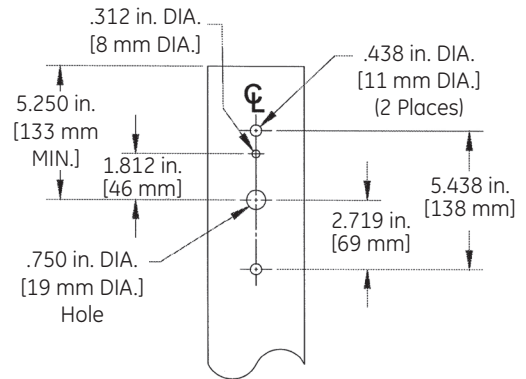
Drilling Templates for Slipfitter Arms & Arm Mount

SQUARE POLE MOUNTING



ROUND POLE MOUNTING

3.5 TO 4.5-inch (89 to 114mm) OD
round pole mounting arm



Other mounting patterns are available for retrofit installations.
Contact manufacturing for other available mounting patterns.



www.gelighting.com

GE and the GE Monogram are trademarks of the General Electric Company. All other trademarks are the property of their respective owners. Information provided is subject to change without notice. All values are design or typical values when measured under laboratory conditions. GE Lighting is a business of the General Electric Company.
© 2016 GE.

OLP3080 (Rev 03/30/16)